

**Receiver**

**From**

Company  
Reference  
Address  
Phone  
Fax  
E-mail

**Item no.** 103040040  
**Customer pos. no.:**

**Model:**  
FEKA VS 750 M - A

**Pump data**

Free passage : 50 mm  
Pressure rating :  
Min. fluid temperature : 0  
Max. fluid temperature : 50 °C  
Max. Temperature operating : 40 °C

**Requested data**

Flow :  
Head :  
Fluid : Water  
Fluid Temperature : 20 °C  
Density : 998,3 kg/m³  
Kinematische viscositeit: 1,005 mm²/s  
Dampspanning: 0,00234 MPa

**Hydraulic data (duty point)**

Flow :  
Head :

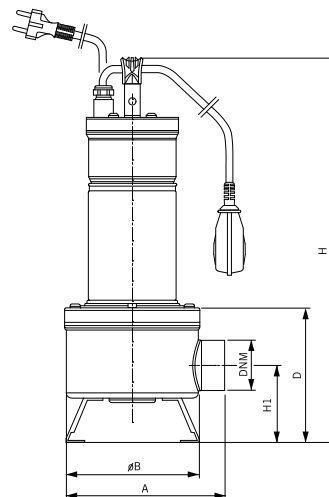
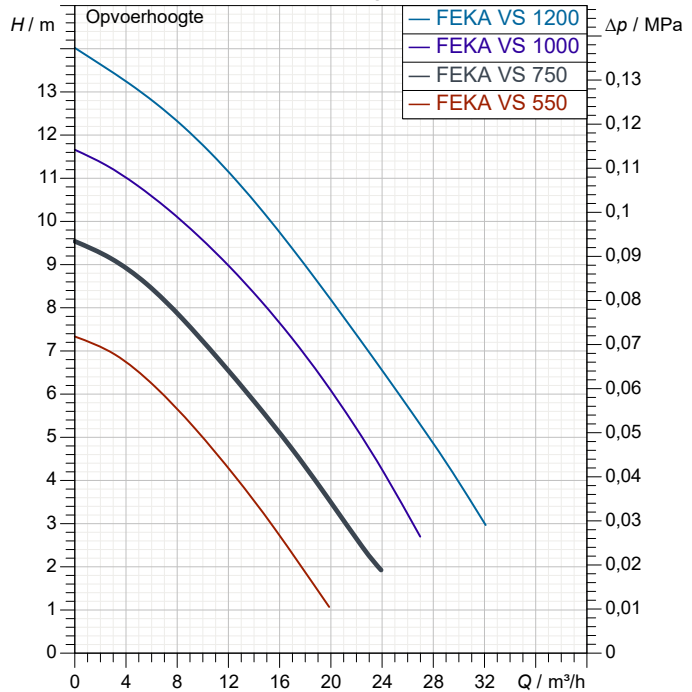
**Materials**

Pump body : Stainless Steel (AISI 304)  
Impeller : Stainless Steel (AISI 304)  
Motor shaft : AISI 316  
Seal disk : Stainless Steel (AISI 304)  
Motor casing : Stainless Steel (AISI 304)  
Mechanical seal pump side : Silicon carbide/Silicon carbide  
Mechanical seal motor side : Carbon/Alumina

**Motor data**

Merk : DAB  
Nominal power P2: 0,75 kW  
Rated speed: 2.800 1/min  
Rated voltage : 1~ 220-240 V 50 Hz  
Nominal current : 5,13 A  
Degree of protection : IP 68

**Curve tolerance according to ISO 9906**



**Gewicht:** 17,5 kg

**Dimension mm**

A	203				
B	170				
D	172				
DNM	2" F				
H	492				
H1	98				

**Pump connection**

Suction side : /  
Discharge side : 2" GAS / --



# PERFORMANCE CURVES

DAB PUMPS S.p.A.  
Via Marco Polo, 14 - 35035 Mestrino (PD), Italy  
Tel. +39 049 5125000 - Fax +39 049 5125950  
www.dabpumps.com

2023-08-03

Pagina 2 / 3

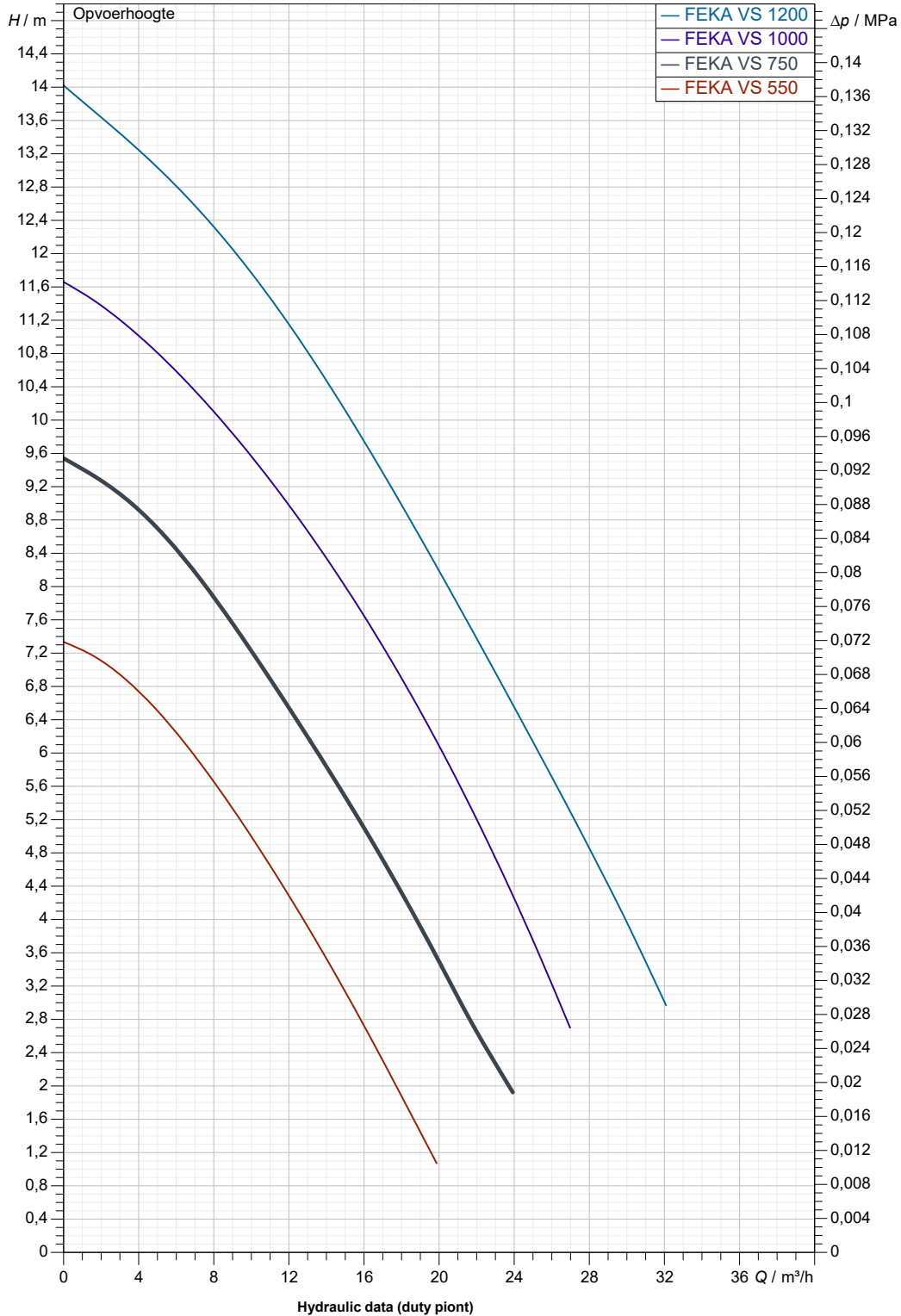
Receiver

From

Company  
Reference  
Address  
Phone  
Fax  
E-mail

## FEKA VS 750 M - A

Curve tolerance according to ISO 9906



Suction side

Discharge side  
2" GAS  
--

Flow :

Head :

Rated speed:  
2.800 1/min

MAIN\_PROJECT\_TITLE

BUSINESS\_PROCESS\_ID

OWNER\_

ISSUE\_DATE  
2023-08-03



# DIMENSIONAL DRAWING

2023-08-03

Pagina 3 / 3

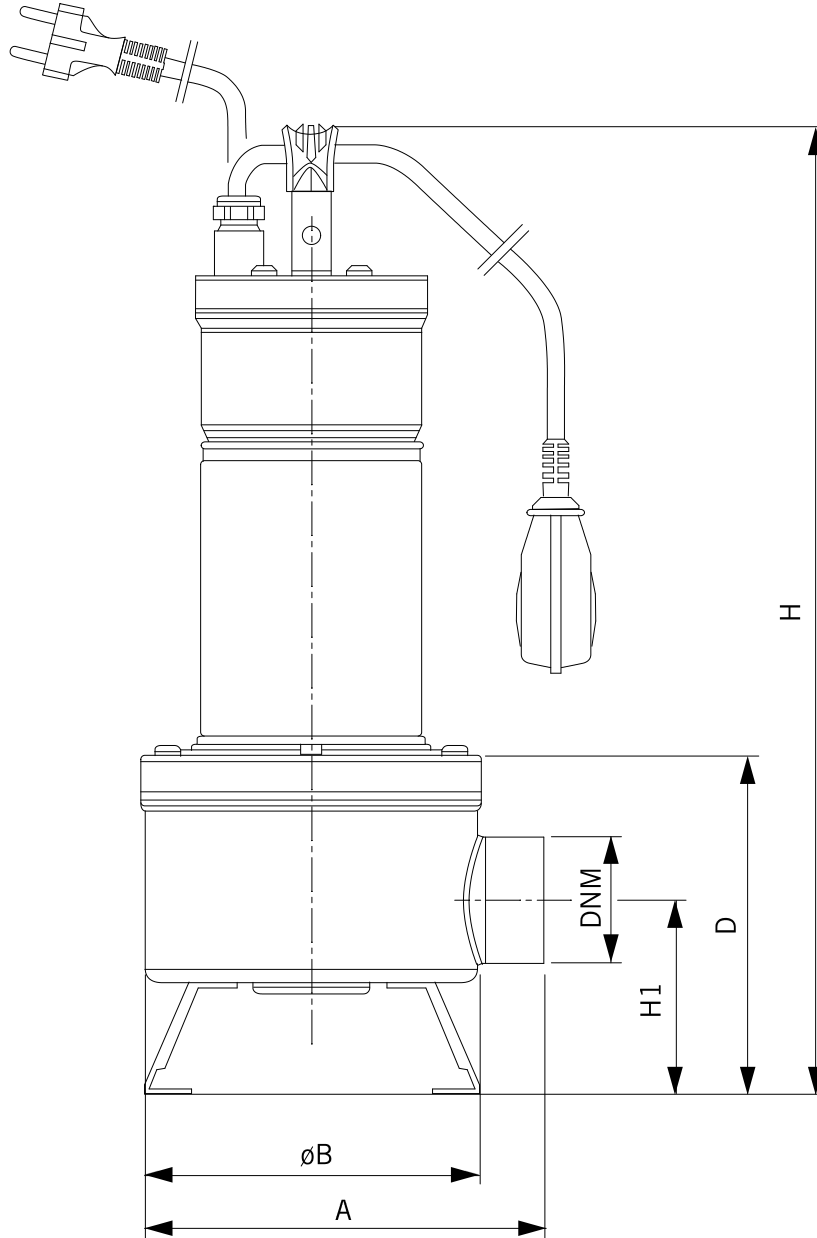
DAB PUMPS S.p.A.  
Via Marco Polo, 14 - 35035 Mestrino (PD), Italy  
Tel. +39 049 5125000 - Fax +39 049 5125950  
www.dabpumps.com

Receiver

From

Company  
Reference  
Address  
Phone  
Fax  
E-mail

## FEKA VS 750 M - A



### Dimensions in mm

### Pump connection

1	A	203					
2	B	170					Suction
3	D	172					
4	DNM	2" F					
5	H	492					Discharge
6	H1	98					2" GAS
7							--
8							
9							
10							
11							

MAIN\_PROJECT\_TITLE

BUSINESS\_PROCESS\_ID

OWNER

ISSUE\_DATE

2023-08-03