

Receiver

From

Company
Reference
Address
Phone
Fax
E-mail

Item no.

102660020

Customer pos. no.:

Model:

JET 82 M

Pump data

Pressure rating : 0,6 MPa
Min. fluid temperature : 0 °C
Max. fluid temperature : 35 °C
Max. Temperature operating : 40 °C

Priming capacity :

H	m	2	3	4	5	6	7	8	9
Q	m³/h	3,06	2,76	2,46	2,28	1,92	1,74	1,32	1,02

Requested data

Flow :
Head :
Fluid : Water
Fluid Temperature : 20 °C
Density : 998,3 kg/m³
Kinematic viscosity : 1,005 mm²/s
Dampspanning : 0,00 MPa

Hydraulic data (duty point)

Flow :
Head :

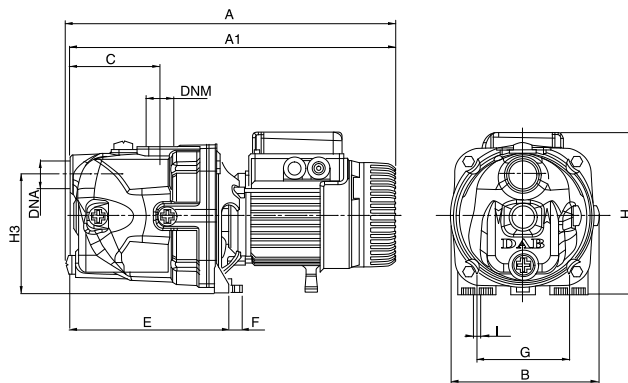
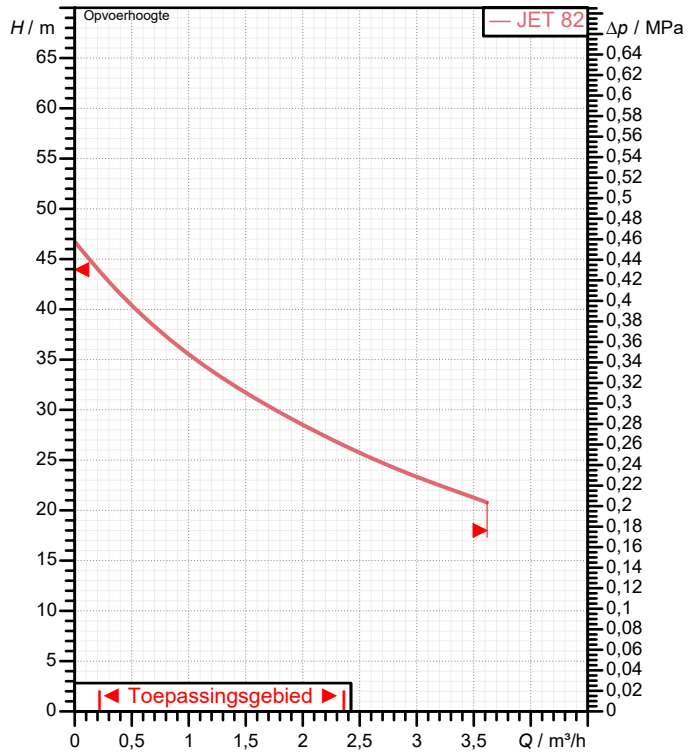
Materials

Pump body : Cast iron 200 UNI ISO 185
Support : Die cast aluminium
Impeller : Technopolymer A
Mechanical seal : Carbon/Ceramic
O-Ring : NBR Rubber
Shaft with rotor : AISI 416 X12 CrS 13 UNI 6900/71
Nozzle venturi diffuser assembly : Technopolymer A

Motor data

Merk : DAB
Nominal power P2 : 0,6 kW
Rated speed : 2.750 1/min
Rated voltage : 1~ 220-240 V 50 Hz
Nominal current : 3,8 A
Degree of protection : IP 44

Curve tolerance according to ISO 9906



Dimension

mm

A	395	DNA	1" G	G	111
A1	395	DNM	1" G	H	193
B	178	E	192	H3	144
C	108	F	14	I Ø	9

Gewicht: 10,7 kg

Pump connection

Suction side : 1" G / 0,6 MPa
Discharge side : 1" G / 0,6 MPa



WATER • TECHNOLOGY

PERFORMANCE CURVES

2023-08-24

Pagina 2 / 3

DAB PUMPS S.p.A.
Via Marco Polo, 14 - 35035 Mestrino (PD), Italy
Tel. +39 049 5125000 - Fax +39 049 5125950
www.dabpumps.com

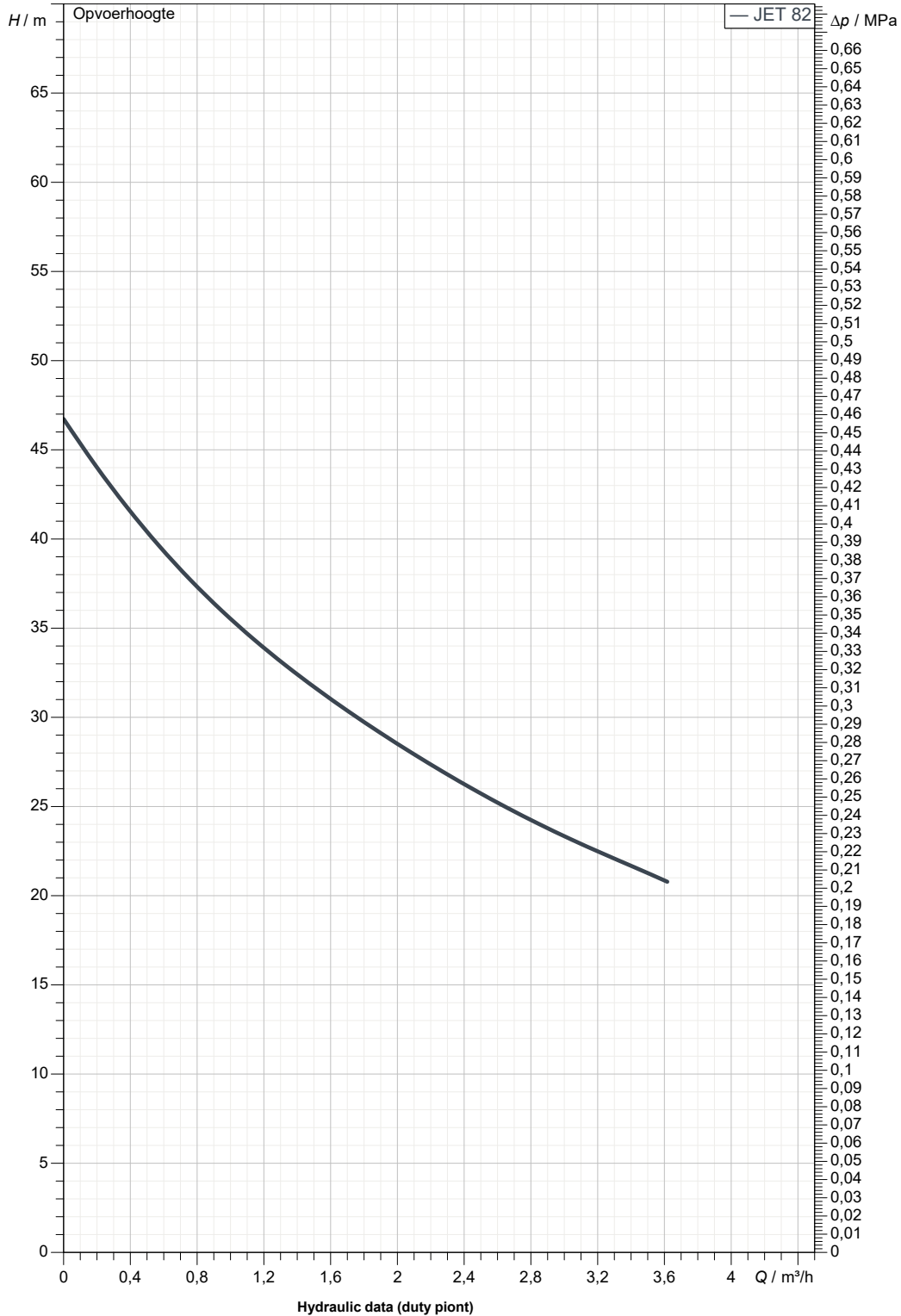
Receiver

From

Company
Reference
Address
Phone
Fax
E-mail

JET 82 M

Curve tolerance according to ISO 9906



Suction side 1" G 0,6 MPa	Discharge side 1" G 0,6 MPa	Flow :	Head :	Rated speed: 2.750 1/min
MAIN_PROJECT_TITLE	BUSINESS_PROCESS_ID	OWNER_	ISSUE_DATE 2023-08-24	



DIMENSIONAL DRAWING

2023-08-24

Pagina 3 / 3

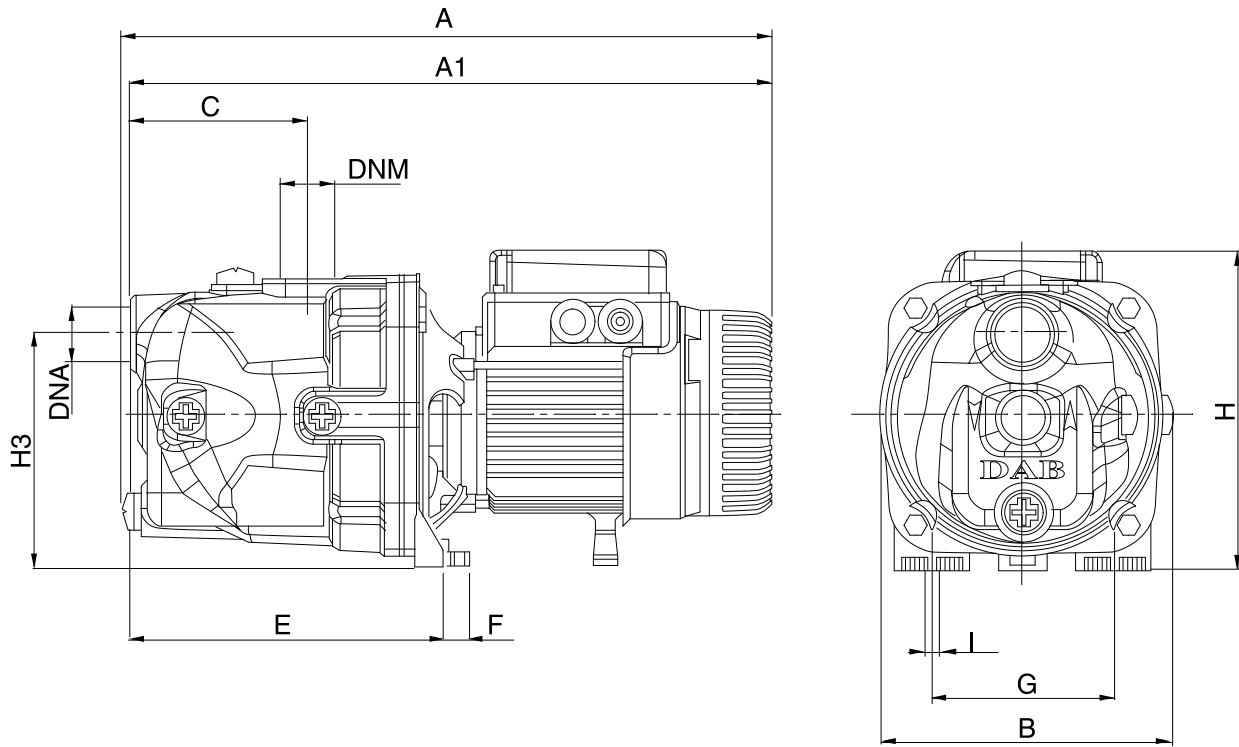
DAB PUMPS S.p.A.
Via Marco Polo, 14 - 35035 Mestrino (PD), Italy
Tel. +39 049 5125000 - Fax +39 049 5125950
www.dabpumps.com

Receiver

From

Company
Reference
Address
Phone
Fax
E-mail

JET 82 M



Dimensions in mm

Pump connection

1	A	395	1 Ø	9		
2	A1	395				
3	B	178				Suction
4	C	108				1" G
5	DNA	1" G				0,6 MPa
6	DNM	1" G				
7	E	192				Discharge
8	F	14				1" G
9	G	111				0,6 MPa
10	H	193				
11	H3	144				

MAIN_PROJECT_TITLE	BUSINESS_PROCESS_ID	OWNER	ISSUE_DATE 2023-08-24
--------------------	---------------------	-------	--------------------------