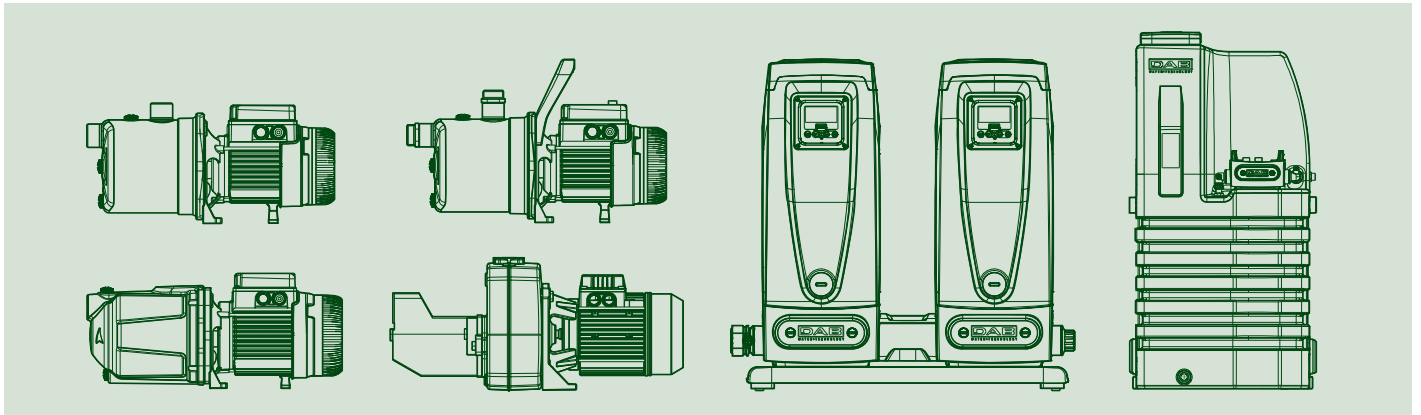


SELF-PRIMING MULTISTAGE CENTRIFUGAL PUMPS



**TECHNICAL
CATALOGUE**



TECHNICAL DATA

Operating range:

from 0.4 to 10.5 m³/h with head up to 62 metres

Liquid quality requirements: clean, free from solid or abrasive contaminants, non-viscous, non-aggressive, uncrystallised and chemically neutral, close to the properties of water

Liquid temperature range:

for domestic use: from 0°C to +35°C (EN 60335-2-41)

for other use: from 0°C to +40°C

Maximum ambient temperature: +40°C

Maximum operating pressure: 8 bar (800 kPa)

Installation: fixed in a horizontal position

Special executions on request: different frequencies and/or voltage

Motor protection rating: IP 44

Terminal block protection rating: IP 55

Insulation class: F

Standard input voltage: single phase 220/240 V / 50 Hz
three phase 230/400 V - 50 Hz

APPLICATIONS

Self priming centrifugal pump with excellent suction capacity even in the presence of air bubbles.

Suitable for pumping water with low levels of sandy impurities.

Especially used in domestic water supply installations. Suitable for small farms and gardening, small scale industrial services and where self priming is necessary.

CONSTRUCTIONAL FEATURES OF THE PUMP

Cast-iron motor support and pump body.

Motor support in die cast aluminium.

Impeller, diffuser, venturi tube and sand guard in technopolymer

Stainless steel wear ring.

Carbon/ceramic mechanical seal.

CONSTRUCTIONAL FEATURES OF THE MOTOR

Asynchronous type, closed, with external air cooling.

Rotor mounted on oversized greased-for-life ball bearings, to guarantee low noise and long life.

Incorporated thermo-amperometric protection and permanently inserted capacitor in the single phase version.

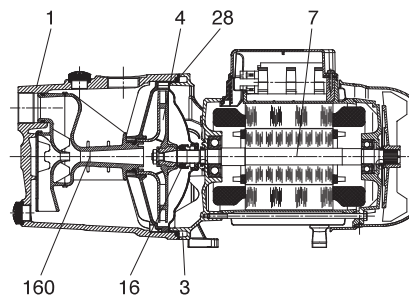
It is recommended to use overload protection for three phase motor protection, in compliance with current legislation.

Manufactured pursuant to CEI 2-3 and CEI 61-69 (EN 60335-2-41).

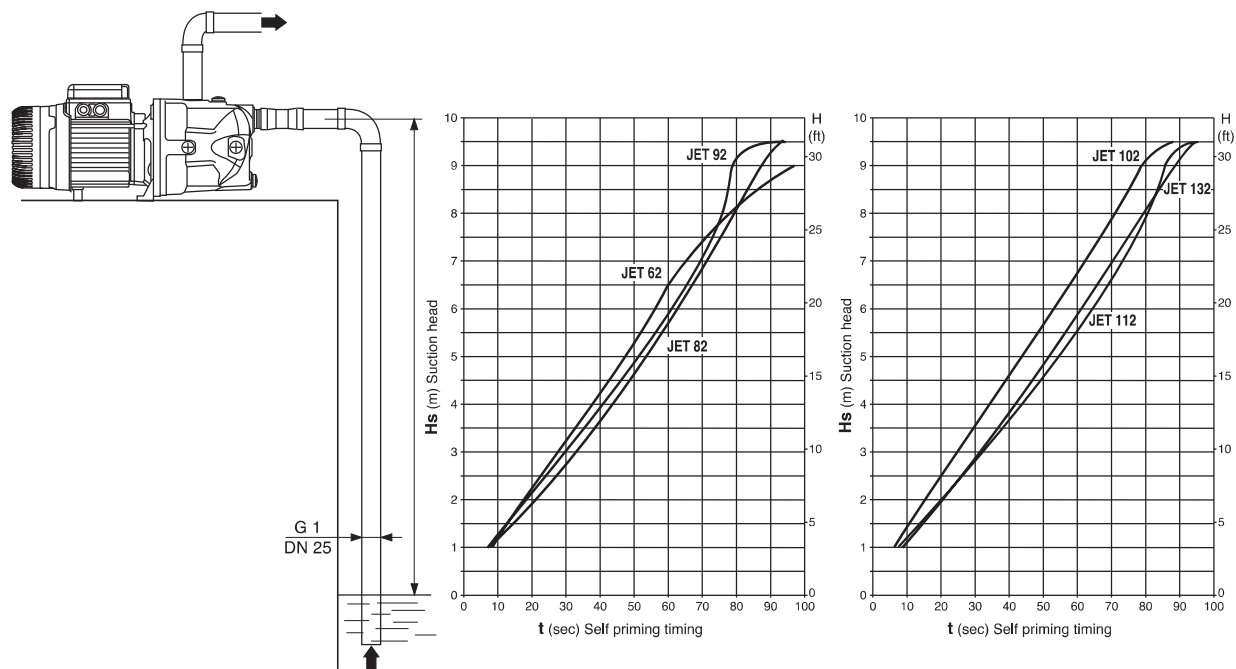
MATERIALS

N°	PARTS *	MATERIALS
1	PUMP BODY	200 UNI ISO 185 CAST IRON
3	FRAME	DIE CAST ALUMINIUM
4	IMPELLER	TECHNOPOLYMER A
7	SHAFT WITH ROTOR	AISI 416 STAINLESS STEEL X12 CrS13 - UNI 6900/71
16	MECHANICAL SEAL	CARBON/CERAMIC
28	OR GASKET	NBR RUBBER
160	VENTURI DIFFUSER NOZZEL GROUP	TECHNOPOLYMER A

* In contact with liquid



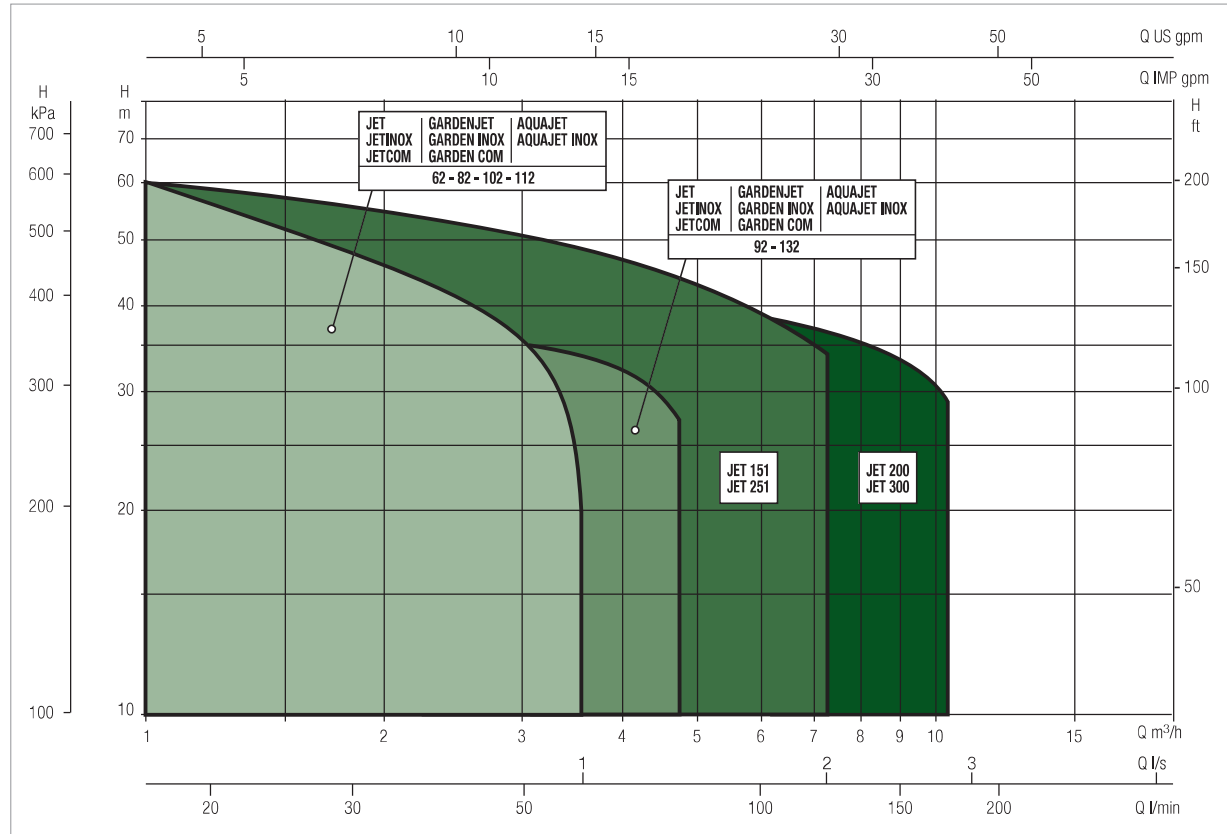
SELF PRIMING CAPACITY



PERFORMANCE RANGE

The performance curves are based on kinematic viscosity values = 1 mm²/s and density equivalent to 1000 kg/m³. Curve tolerance according to ISO 9906.

GRAPHIC SELECTION TABLE

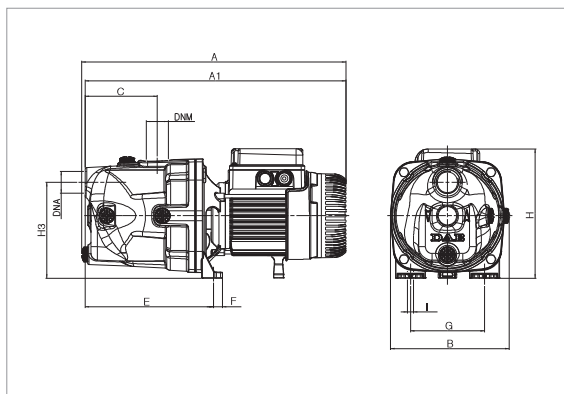


JET SELECTION TABLE

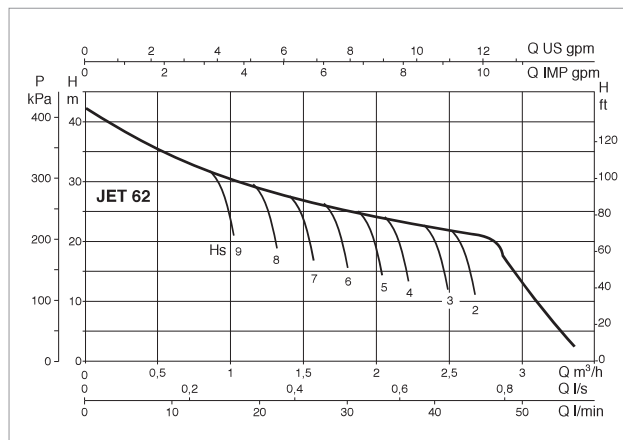
MODEL	Q=m ³ /h	0	0,6	1,2	1,8	2,4	3	3,6	4,2	4,8
	Q=l/min	0	10	20	30	40	50	60	70	80
JET 62 M	H (m)	42	35	29,2	25,6	22,9	21,1			
JET 82 M		47	40	34	30	26,2	23,5	20,3		
JET 82 T		47	40	34	30	26,2	23,5	20,3		
JET 102 M		53,8	47	41	36,3	32,4	28,8	25,8		
JET 102 T		53,8	47	41	36,3	32,4	28,8	25,8		
JET 112 M		61	54	47,8	42,8	38,8	34,8	20		
JET 112 T		61	54	47,8	42,8	38,8	34,8	20		
JET 92 M		36,2	33,5	31	28,4	26	24	21,8	19,6	17
JET 132 M		48,3	45,6	42,8	40	37,6	35	32,5	30	27,2
JET 132 T		48,3	45,6	42,8	40	37,6	35	32,5	30	27,2

JET 62 - SELF-PRIMING CENTRIFUGAL PUMPS

Liquid temperature range pumped: from 0 °C to +35 °C - Maximum ambient temperature: +40°C



The performance curves are based on the kinematic viscosity values = 1 mm²/s and density equivalent to 1000 kg/m³. Curve tolerance according to ISO 9906.

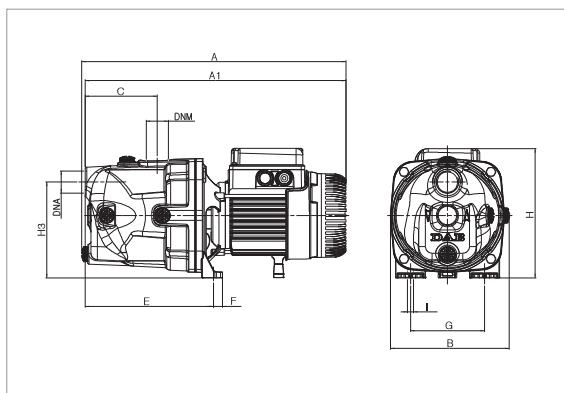


MODEL	ELECTRICAL DATA						
	POWER SUPPLY 50 Hz	P1 MAX kW	P2 NOMINAL		In A	CAPACITOR	
			kW	HP		µF	Vc
JET 62 M	1 x 220 - 240 V ~	0,72	0,44	0,6	3,12	12,5	450

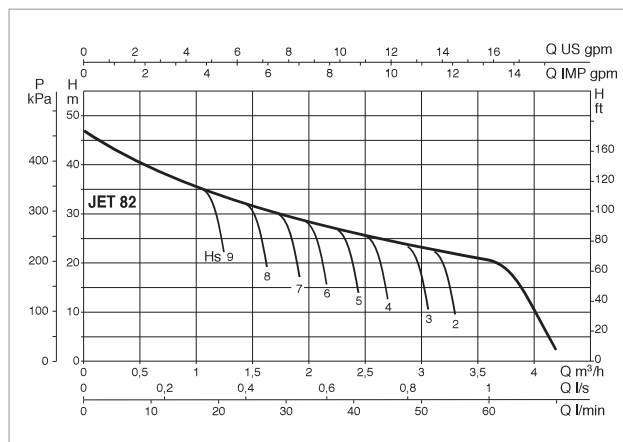
MODEL	A	A1	B	C	E	F	G	H	H1	H2	H3	I Ø	DNA	DNM	PACKING DIMENSIONS			VOLUME (mc)	GROSS WEIGHT Kg
															L/A	L/B	H		
JET 62 M	395	390	178	108	192	14	111	193	-	-	144	9	1"	1"	470	240	240	0,022	10,5

JET 82 - SELF-PRIMING CENTRIFUGAL PUMPS

Liquid temperature range pumped: from 0 °C to +35 °C - Maximum ambient temperature: +40°C



The performance curves are based on the kinematic viscosity values = 1 mm²/s and density equivalent to 1000 kg/m³. Curve tolerance according to ISO 9906.

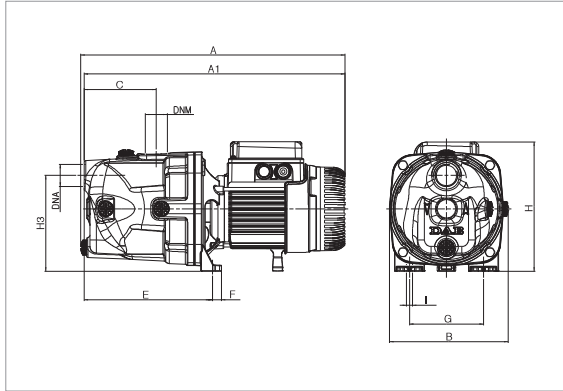


MODEL	ELECTRICAL DATA						
	POWER SUPPLY 50 Hz	P1 MAX kW	P2 NOMINAL		In A	CAPACITOR	
			kW	HP		µF	Vc
JET 82 M	1 x 220 - 240 V ~	0,85	0,6	0,8	3,8	12,5	450
JET 82 T	3 x 230 - 400 V ~	0,86	0,6	0,8	2,8-1,6	-	-

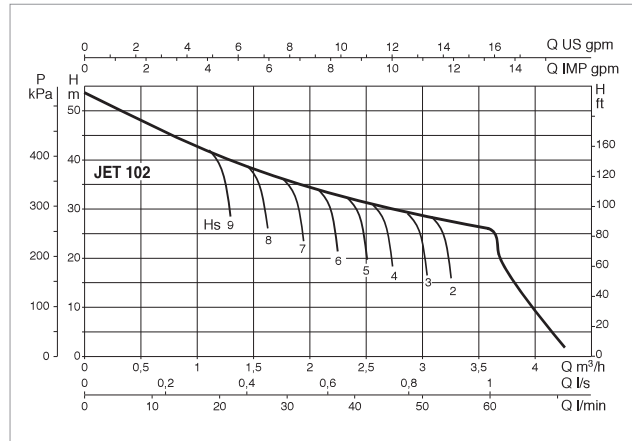
MODEL	A	A1	B	C	E	F	G	H	H1	H2	H3	I Ø	DNA	DNM	PACKING DIMENSIONS			VOLUME (mc)	GROSS WEIGHT Kg
															L/A	L/B	H		
JET 82 M	395	395	178	108	192	14	111	193	-	-	144	9	1"	1"	470	240	240	0,022	10,7
JET 82 T	395	395	178	108	192	14	111	193	-	-	144	9	1"	1"	470	240	240	0,022	10,7

JET 102 - SELF-PRIMING CENTRIFUGAL PUMPS

Liquid temperature range pumped: from 0 °C to +35 °C - Maximum ambient temperature: +40°C



The performance curves are based on the kinematic viscosity values = 1 mm²/s and density equivalent to 1000 kg/m³. Curve tolerance according to ISO 9906.

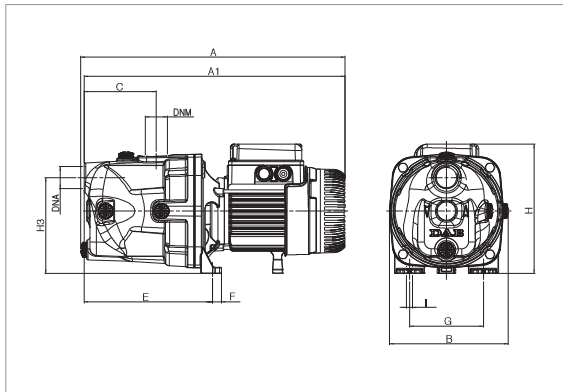


MODEL	POWER SUPPLY 50 Hz	MOTOR TYPE	P1 MAX kW	ELECTRICAL DATA				
				P2 NOMINAL		In A	CAPACITOR	
				kW	HP		µF	Vc
JET 102 M	1 x 220 - 240 V ~	-	1,13	0,75	1	5,1	16	450
JET 102 T	3 x 230 - 400 V ~	E3	1,03	0,75	1	3,4-2	-	-
JET 102 T	3 x 230 - 400 V ~	E2	1,04	0,75	1	3,3-1,9	-	-

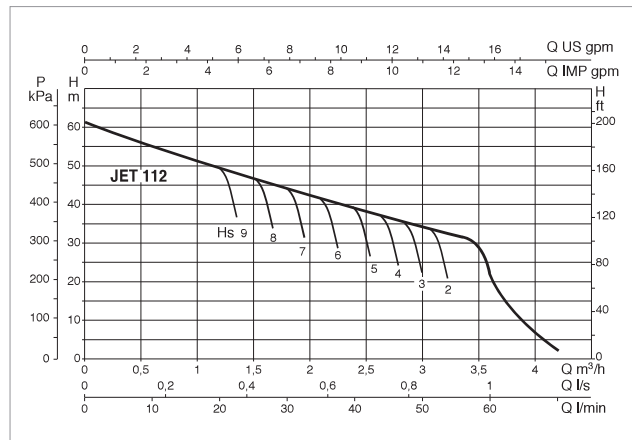
MODEL	A	A1	B	C	E	F	G	H	H1	H2	H3	I Ø	DNA	DNM	PACKING DIMENSIONS			VOLUME (mc)	GROSS WEIGHT Kg
															L/A	L/B	H		
JET 102 M	414	409	178	108	197	14	111	203	-	-	144	9	1"	1"	470	240	240	0,022	12,5
JET 102 T	414	409	178	108	197	14	111	203	-	-	144	9	1"	1"	470	240	240	0,022	12,5

JET 112 - SELF-PRIMING CENTRIFUGAL PUMPS

Liquid temperature range pumped: from 0 °C to +35 °C - Maximum ambient temperature: +40°C



The performance curves are based on the kinematic viscosity values = 1 mm²/s and density equivalent to 1000 kg/m³. Curve tolerance according to ISO 9906.

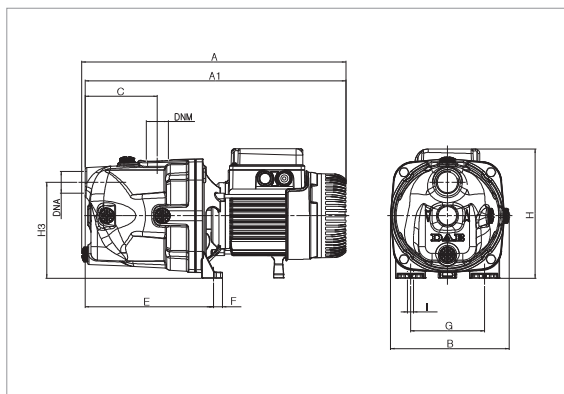


MODEL	POWER SUPPLY 50 Hz	MOTOR TYPE	P1 MAX kW	ELECTRICAL DATA				
				P2 NOMINAL		In A	CAPACITOR	
				kW	HP		µF	Vc
JET 112 M	1 x 220 - 240 V ~	-	1,4	1	1,36	6,2	25	450
JET 112 T	3 x 230 - 400 V ~	E3	1,3	1	1,36	4,1-2,4	-	-
JET 112 T	3 x 230 - 400 V ~	E2	1,35	1	1,36	4,3-2,5	-	-

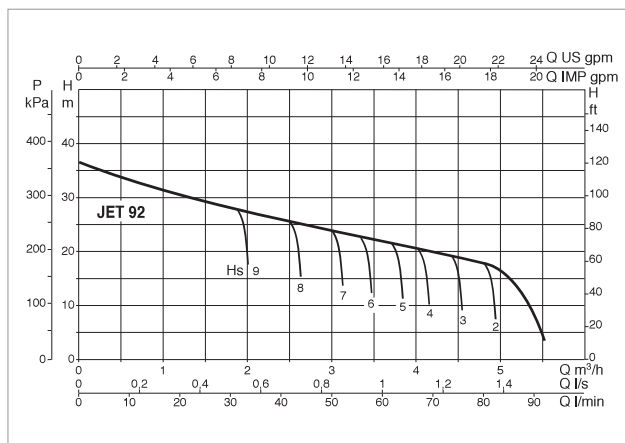
MODEL	A	A1	B	C	E	F	G	H	H1	H2	H3	I Ø	DNA	DNM	PACKING DIMENSIONS			VOLUME (mc)	GROSS WEIGHT Kg
															L/A	L/B	H		
JET 112 M	414	409	178	108	192	14	111	203	-	-	144	9	1"	1"	470	240	240	0,022	13,5
JET 112 T	430	409	178	108	192	14	111	203	-	-	144	9	1"	1"	470	240	240	0,022	13,5

JET 92 - SELF-PRIMING CENTRIFUGAL PUMPS

Liquid temperature range pumped: from 0 °C to +35 °C - Maximum ambient temperature: +40°C



The performance curves are based on the kinematic viscosity values = 1 mm²/s and density equivalent to 1000 kg/m³. Curve tolerance according to ISO 9906.

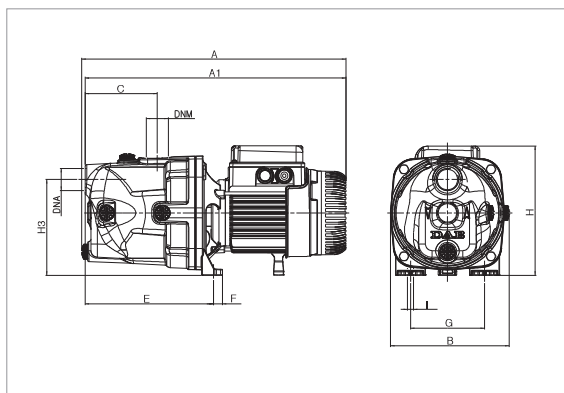


MODEL	ELECTRICAL DATA						
	POWER SUPPLY 50 Hz	P1 MAX kW	P2 NOMINAL		In A	CAPACITOR	
			kW	HP		µF	Vc
JET 92 M	1 x 220 - 240 V ~	0,94	0,75	1	4,2	14	450

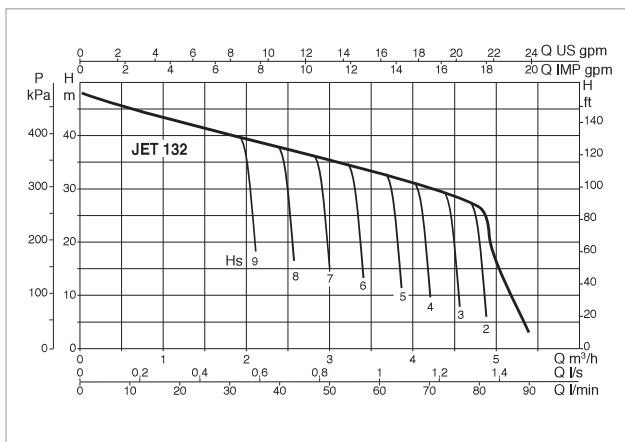
MODEL	A	A1	B	C	E	F	G	H	H1	H2	H3	I Ø	DNA	DNM	PACKING DIMENSIONS			VOLUME (mc)	GROSS WEIGHT Kg
															L/A	L/B	H		
JET 92 M	395	390	178	108	192	14	111	193	-	-	144	9	1"	1"	470	240	240	0,022	11,7

JET 132 - SELF-PRIMING CENTRIFUGAL PUMPS

Liquid temperature range pumped: from 0 °C to +35 °C - Maximum ambient temperature: +40°C



The performance curves are based on the kinematic viscosity values = 1 mm²/s and density equivalent to 1000 kg/m³. Curve tolerance according to ISO 9906.



MODEL	ELECTRICAL DATA							
	POWER SUPPLY 50 Hz	MOTOR TYPE	P1 MAX kW	P2 NOMINAL		In A	CAPACITOR	
				kW	HP		µF	Vc
JET 132 M	1 x 220 - 240 V ~	-	1,49	1	1,36	6,6	25	450
JET 132 T	3 x 230 - 400 V ~	E3	1,37	1	1,36	4,3-2,5	-	-
JET 132 T	3 x 230 - 400 V ~	E2	1,43	1	1,36	4,7-2,7	-	-

MODEL	A	A1	B	C	E	F	G	H	H1	H2	H3	I Ø	DNA	DNM	PACKING DIMENSIONS			VOLUME (mc)	GROSS WEIGHT Kg
															L/A	L/B	H		
JET 132 M	414	409	263	108	192	14	111	203	-	-	144	9	1"	1"	470	240	240	0,022	13,5
JET 132 T	430	409	263	108	192	14	111	203	-	-	144	9	1"	1"	470	240	240	0,022	13,5

DWA
PUMPS SELECTOR

On-line product selection



DAB PUMPS LTD.
6 Gilberd Court
Newcomen Way
Severalls Business Park
Colchester
Essex
CO4 9WN - UK
salesuk@dwgroup.com
Tel. +44 0333 777 5010



DAB PUMPS BV
"Hofveld 6 C1
1702 Groot Bijgaarden - Belgium
info.belgium@dwgroup.com
Tel. +32 2 4668353



DAB PUMPS B.V.
Albert Einsteinweg, 4
5151 DL Drunen - Nederland
info.netherlands@dwgroup.com
Tel. +31 416 387280
Fax +31 416 387299



DAB PUMPS GMBH
Am Nordpark 3
D - 41069 Mönchengladbach - Germany
info.germany@dwgroup.com
Tel. +49 2161 47388-0
Fax +49 2161 47388-36



DAB PUMPS IBERICA S.L.
Calle Verano 18-20-22
28850 - Torrejón de Ardoz - Madrid
Spain
Info.spain@dwgroup.com
Tel. +34 91 6569545
Fax: + 34 91 6569676



DAB PUMPS HUNGARY KFT.
H-8800
Nagykanizsa, Buda Ernő u.5
Hungary
Tel. +36 93501700



DAB PUMPS POLAND Sp. z o.o.
Ul. Janka Muzykanta 60
02-188 Warszawa - Poland
polska@dabpumps.com.pl



OOO DAB PUMPS
Novgorodskaya str. 1, block G
office 308, 127247, Moscow - Russia
info.russia@dwgroup.com
Tel. +7 495 122 0035
Fax +7 495 122 0036



DAB PUMPS INC.
3226 Benchmark Drive
Ladson, SC 29456 - USA
info.usa@dwgroup.com
Tel. 1- 843-797-5002
Fax 1-843-797-3366



DAB PUMPS SOUTH AFRICA (PTY) LTD
Twenty One Industrial Estate,
16 Purlin Street, Unit B, Warehouse 4
Ollifantsfontein - 1666 - South Africa
info.sa@dwgroup.com
Tel. +27 12 361 3997



DAB PUMPS (QINGDAO) CO, LTD.
No.40 Kaituo Road, Qingdao Economic & Technological
Development Zone
Qingdao City, Shandong Province - China
PC: 266500
sales.cn@dwgroup.com
Tel. +86 400 186 8280
Fax +86 53286812210



DAB PUMPS DE MÉXICO, S.A. DE C.V.
Av Amsterdam 101 Local 4
Col. Hipódromo Condesa,
Del. Cuauhtémoc CP 06170
Ciudad de México
Tel. +52 55 6719 0493



DAB PUMPS OCEANIA PTY LTD
426 South Gippsland Hwy,
Dandenong South VIC 3175 - Australia
info.oceania@dwgroup.com
Tel. +61 1300 373 677



PT DAB PUMPS INDONESIA
Satrio Tower lantai 26
unit C-D, Jl. Prof. Dr. Satrio Kav. C4,
Kel. Kuningan Timur, Kec. Setiabudi, Kota Adm.
Jakarta Selatan, Prov. DKI Jakarta. - Indonesia
Tel. +62 2129222850