

Receiver

From

Company
Reference
Address
Phone
Fax
E-mail

Item no.

60165318

Customer pos. no.:

Model:

GENIX COMFORT 130

Pump data

Min. fluid temperature : 0 °C
Max. fluid temperature : 50 °C
Max. Temperature operating : 25 °C
Min. Temperature operating : 5 °C
Max Flow : 6,9 m³/h
Max. Head : 8 m
Max. Head (EN12050-3) : 6 m

Requested data

Flow :
Head :
Fluid : Water
Fluid Temperature : 20 °C
Density: 998,3 kg/m³
Kinematische viscositeit: 1,005 mm²/s
Dampspanning: 0,00234 MPa

Hydraulic data (duty point)

Flow :
Head :

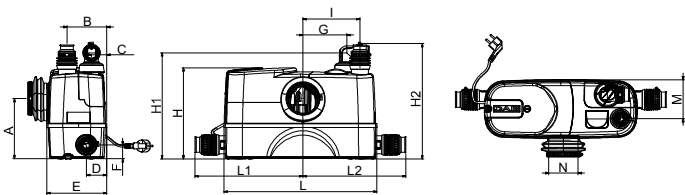
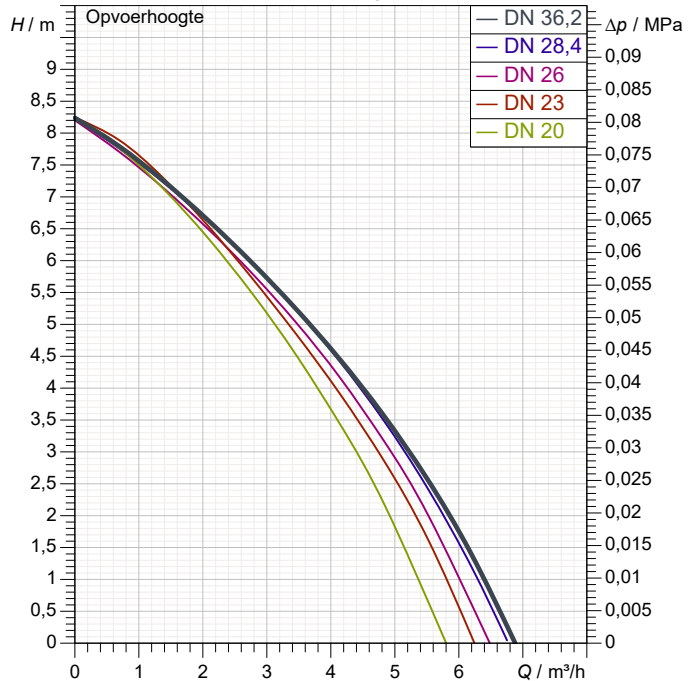
Materials

Impeller Polypropylene 30% fiber glass
Tank Polypropylene 30% Barium
Shaft Stainless steel
Kopstuk Stainless steel
Grinder AISI 304/420
Soundproofing (COMFORT) Polypropylene 70% Barium
O-Ring NBR

Motor data

Merk : DAB
Nominal power P2: 0,32 kW
Rated speed: 2.900 1/min
Rated voltage : 1~ 230 V 50 Hz
Nominal current : 2,3 A
Degree of protection : IP 44

Curve tolerance according to ISO 9906



Gewicht: 12 kg

Dimension mm

A	183	G	178	L1	322		
B	118	H	277	L2	307		
C	45	H1	323	M	118		
D	60	H2	351	N	87		
E	178	I	170				
F	42	L	456				

Pump connection

DN 22/25/28/32/36/40



PERFORMANCE CURVES

2023-08-24

Pagina 2 / 3

DAB PUMPS S.p.A.
Via Marco Polo, 14 - 35035 Mestrino (PD), Italy
Tel. +39 049 5125000 - Fax +39 049 5125950
www.dabpumps.com

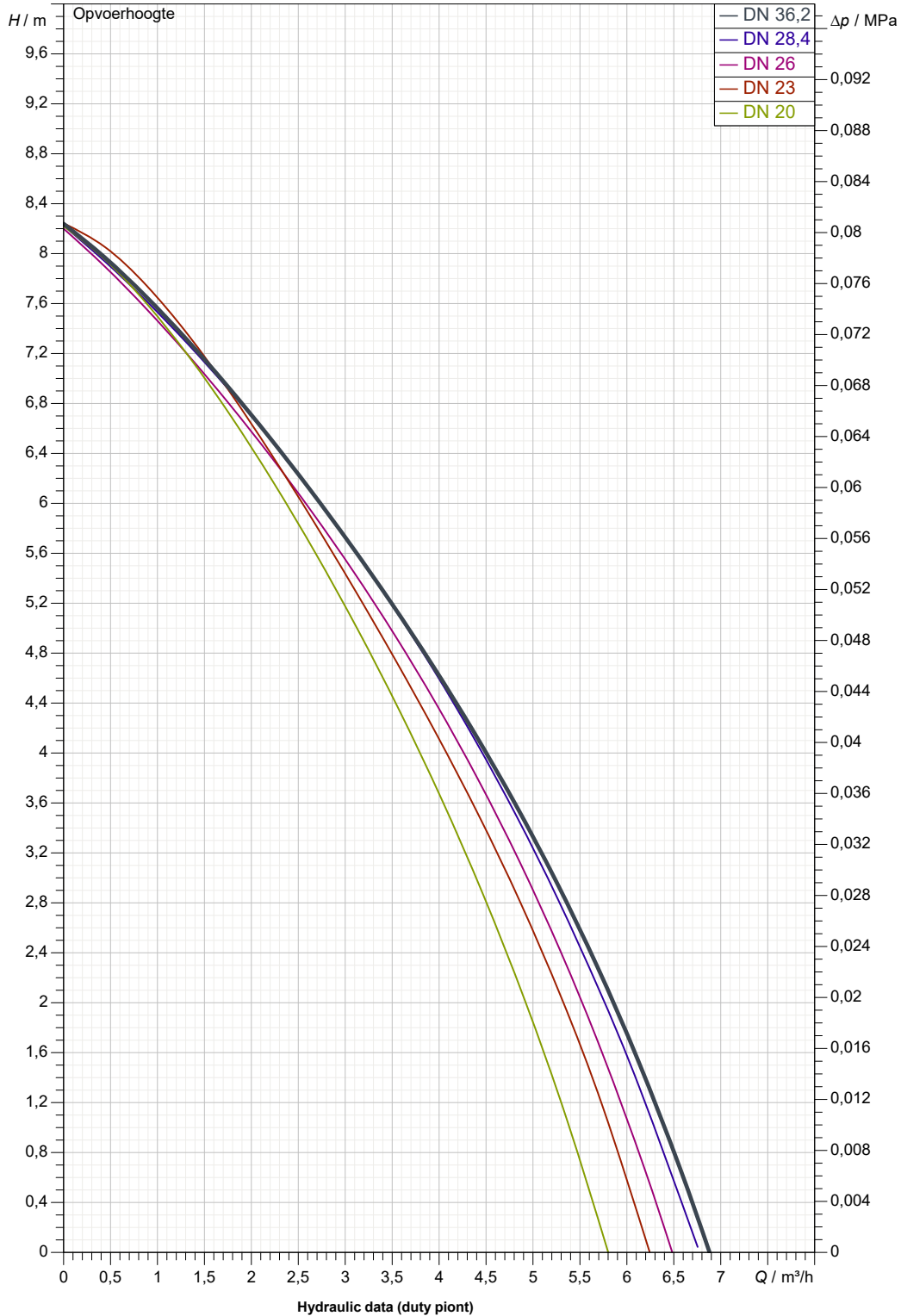
Receiver

From

Company
Reference
Address
Phone
Fax
E-mail

GENIX COMFORT 130

Curve tolerance according to ISO 9906



Suction side

Discharge side

Flow :

Head :

Rated speed:
2.900 1/min

MAIN_PROJECT_TITLE

BUSINESS_PROCESS_ID

OWNER_

ISSUE_DATE
2023-08-24



DIMENSIONAL DRAWING

2023-08-24

Pagina 3 / 3

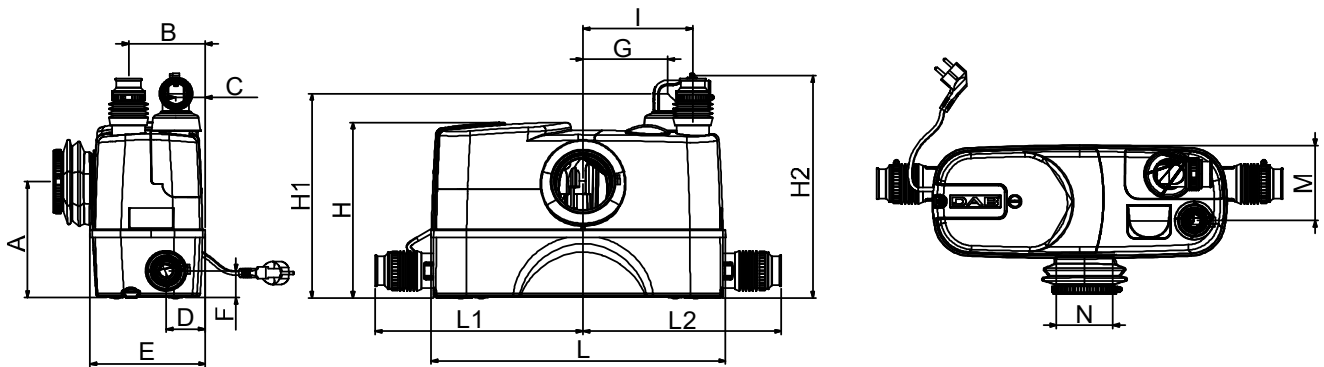
DAB PUMPS S.p.A.
Via Marco Polo, 14 - 35035 Mestrino (PD), Italy
Tel. +39 049 5125000 - Fax +39 049 5125950
www.dabpumps.com

Receiver

From

Company
Reference
Address
Phone
Fax
E-mail

GENIX COMFORT 130



Dimensions in mm					Pump connection	
1	A	183	L	456	Suction	Discharge
2	B	118	L1	322		
3	C	45	L2	307		
4	D	60	M	118		
5	E	178	N	87		
6	F	42				
7	G	178				
8	H	277				
9	H1	323				
10	H2	351				
11	I	170				

MAIN_PROJECT_TITLE	BUSINESS_PROCESS_ID	OWNER_	ISSUE_DATE 2023-08-24
--------------------	---------------------	--------	--------------------------