

Receiver

From

Company
Reference
Address
Phone
Fax
E-mail

Item no. 60194400
Customer pos. no.:

Model:
NOVA 300 M-A 40th - 5m

Pump data

Free passage : 10 mm
Aspiration level minimum : 100 mm
Max. immersion depth : 7 m
Min. fluid temperature : 0 °C
Max. fluid temperature : 35 °C

Requested data

Flow :
Head :
Fluid : Water
Fluid Temperature : 20 °C
Density : 998,3 kg/m³
Kinematische viscositeit: 1,005 mm²/s
Dampspanning: 0,00234 MPa

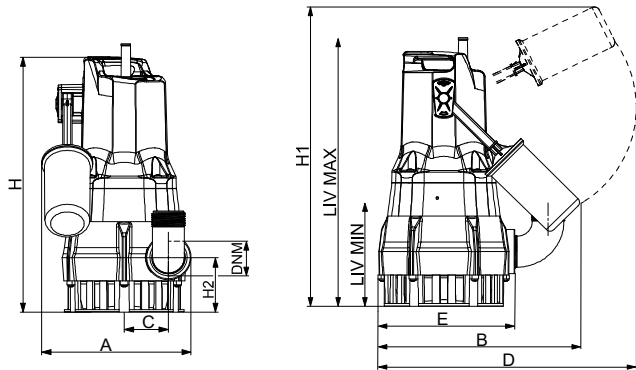
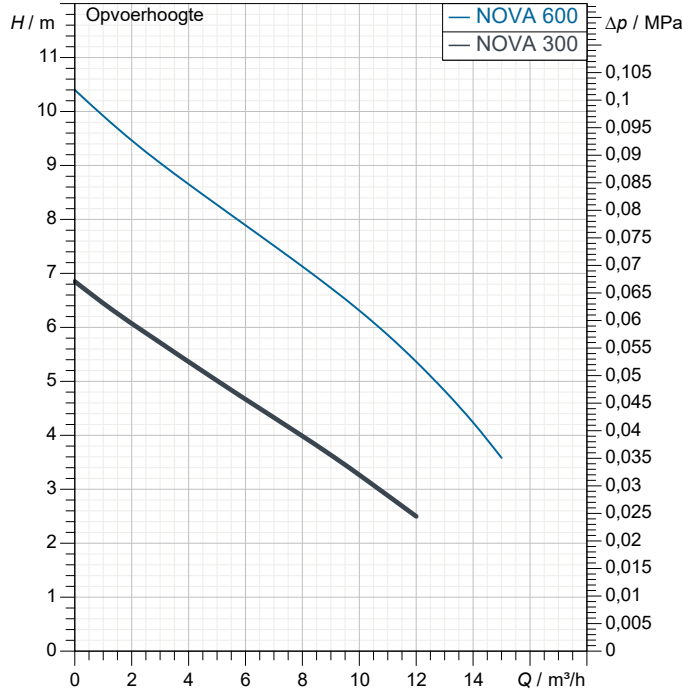
Hydraulic data (duty point)

Flow :
Head :

Materials

Pump body : Technopolymer
Impeller : Technopolymer
O-Ring : NBR Rubber
Rotor shaft : Stainless Steel AISI 431
Suction strainer : Technopolymer
Motor top body : AISI 304 X5 Cr Ni 1810 UNI 6900/71
Float : Technopolymer

Curve tolerance according to ISO 9906



Motor data

Gewicht: 4,6 kg

Merk : DAB
Nominal power P2: 0,22 kW
Rated voltage : 1~ 230 V 50 Hz
Nominal current : 1,5 A
Degree of protection : IP 68
Cable length m : 5

Dimension mm

A	180	H2	47		
B	247	LIV MAX	285		
C	46	LIV MIN	85		
D	296				
DNM	1"1/4 GAS				
E	158				
H	277				
H1	354				

Pump connection

Suction side : /
Discharge side : 1" 1/4 GAS / --



PERFORMANCE CURVES

2023-08-03

Pagina 2 / 3

DAB PUMPS S.p.A.
Via Marco Polo, 14 - 35035 Mestrino (PD), Italy
Tel. +39 049 5125000 - Fax +39 049 5125950
www.dabpumps.com

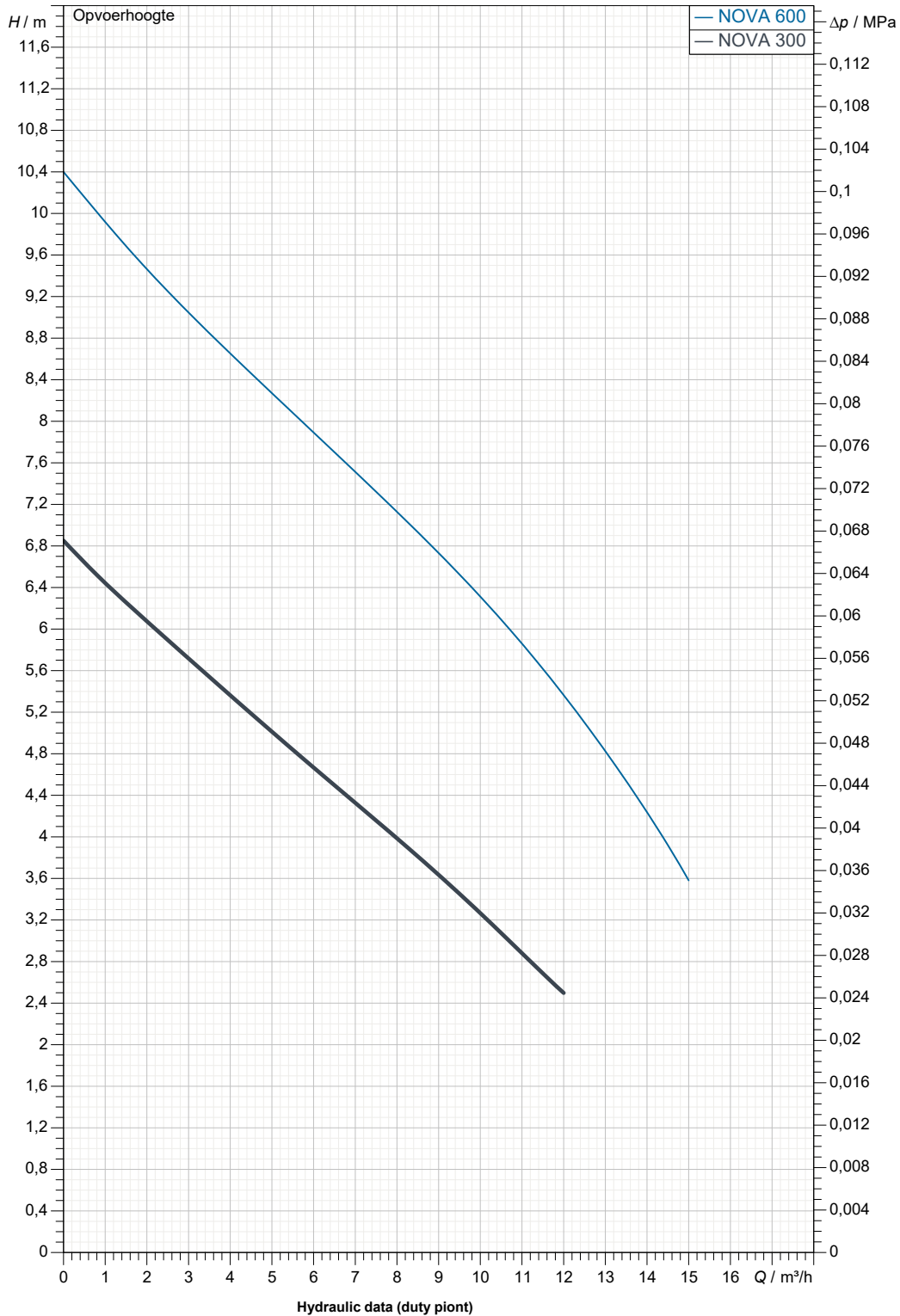
Receiver

From

Company
Reference
Address
Phone
Fax
E-mail

NOVA 300 M-A 40th - 5m

Curve tolerance according to ISO 9906



Suction side

Discharge side
1" 1/4 GAS
--

Flow :

Head :

Rated speed:
2.900 1/min

MAIN_PROJECT_TITLE

BUSINESS_PROCESS_ID

OWNER_

ISSUE_DATE
2023-08-03



DIMENSIONAL DRAWING

DAB PUMPS S.p.A.
Via Marco Polo, 14 - 35035 Mestrino (PD), Italy
Tel. +39 049 5125000 - Fax +39 049 5125950
www.dabpumps.com

2023-08-03

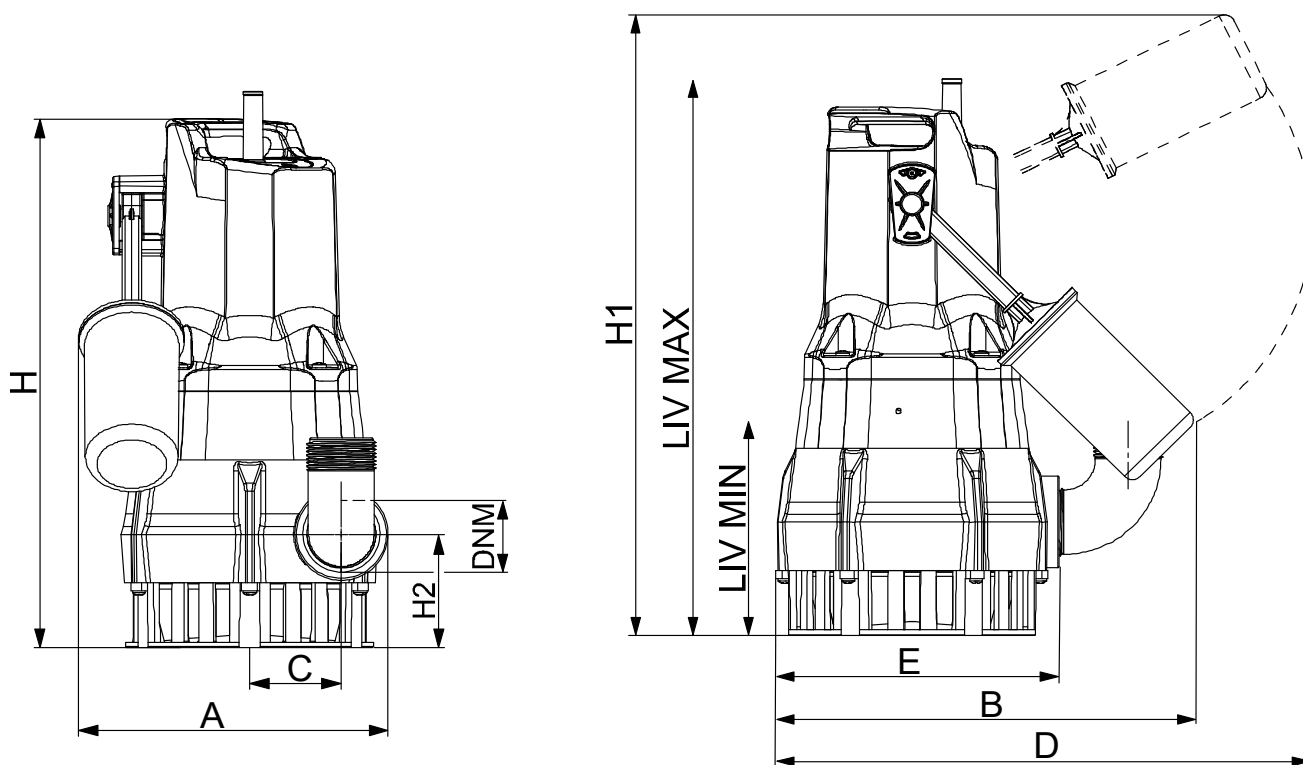
Pagina 3 / 3

Receiver

From

Company
Reference
Address
Phone
Fax
E-mail

NOVA 300 M-A 40th - 5m



Dimensions in mm

Pump connection

1	A	180								
2	B	247								Suction
3	C	46								
4	D	296								
5	DNM	1"1/4 GAS								
6	E	158								
7	H	277								Discharge
8	H1	354								1" 1/4 GAS
9	H2	47								
10	LIV MAX	285								--
11	LIV MIN	85								

MAIN_PROJECT_TITLE	BUSINESS_PROCESS_ID	OWNER	ISSUE_DATE 2023-08-03
--------------------	---------------------	-------	--------------------------